

BALMAR®

Multi-Lite™ Instructions

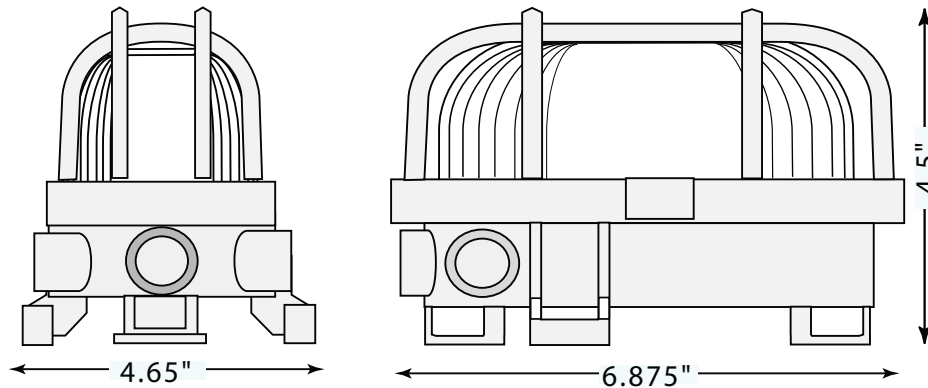
Introduction

The Multi-Lite is a corrosion-resistant fixture, available with or without an ON/OFF switch. It can be used with 12-, 24-, or 32-volt DC systems or 115- or 230-volt AC systems. Wiring and bulb are not included, and should be matched to your system's voltage requirements.

Use standard, medium base, screw in bulbs. Bulbs in the 15 to 25-watt range are recommended. DO NOT use bulbs exceeding the fixture's 40-watt maximum rating.

Installation

The Multi-Lite can be mounted horizontally or vertically on a flat surface. The Base of the Multi-Lite is made of polycarbonate, and is not flexible. Use care not to over-tighten the mounting screws -- doing so could damage the mounting base. Consider using rubber grommets under the mounting feet for added support and flexibility. The fixture is designed primarily for use in engine rooms and storage compartments. If used outside the vessel or as a docklight, avoid mounting in direct sunlight, as UV radiation can cause the protective cage to become brittle.



BALMAR®

Multi-Lite™ Instructions

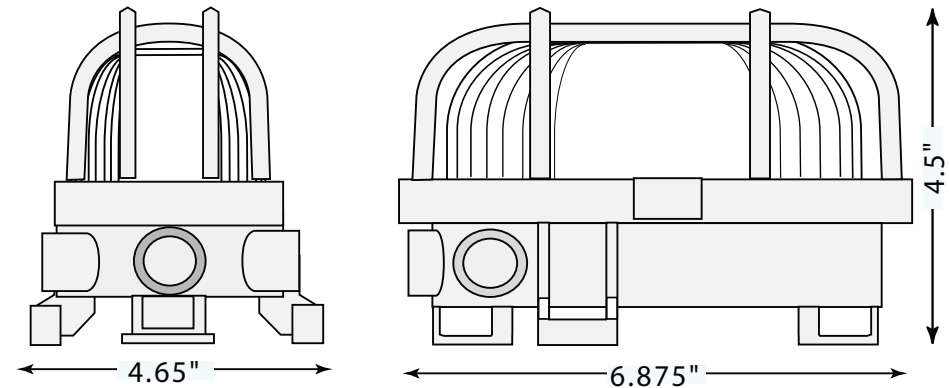
Introduction

The Multi-Lite is a corrosion-resistant fixture, available with or without an ON/OFF switch. It can be used with 12-, 24-, or 32-volt DC systems or 115- or 230-volt AC systems. Wiring and bulb are not included, and should be matched to your system's voltage requirements.

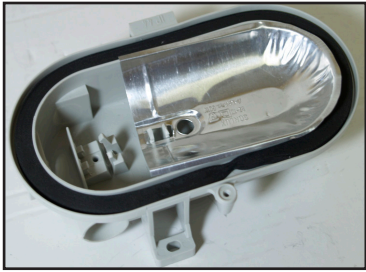
Use standard, medium base, screw in bulbs. Bulbs in the 15 to 25-watt range are recommended. DO NOT use bulbs exceeding the fixture's 40-watt maximum rating.

Installation

The Multi-Lite can be mounted horizontally or vertically on a flat surface. The Base of the Multi-Lite is made of polycarbonate, and is not flexible. Use care not to over-tighten the mounting screws -- doing so could damage the mounting base. Consider using rubber grommets under the mounting feet for added support and flexibility. The fixture is designed primarily for use in engine rooms and storage compartments. If used outside the vessel or as a docklight, avoid mounting in direct sunlight, as UV radiation can cause the protective cage to become brittle.



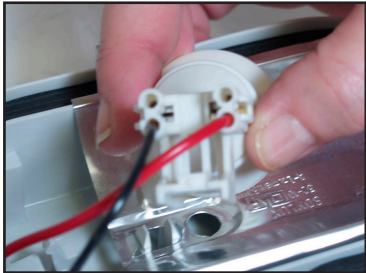
Multi-Lite® Wiring Instructions



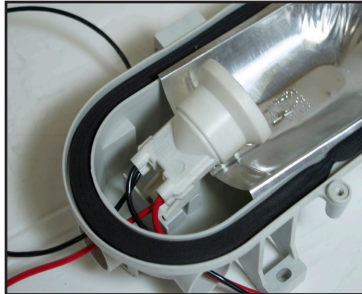
1 Install fixture in desired location. Mounting tabs provide connection points for fasteners. Place the reflector in the base of the fixture.



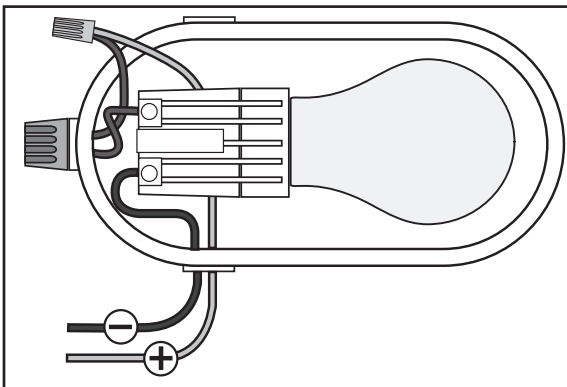
2 Punch out the required number of wire holes required for installation. Three holes are provided. Holes are scaled for 1/2" conduit. Insert positive and negative wires.



3 Strip approximately 3/8" of insulation off of wires and insert wire ends into the bulb receptacle. Wires will be locked in once completely engaged. Note that four wiring connectors are supplied on the bulb receptacle for multiple light circuits.



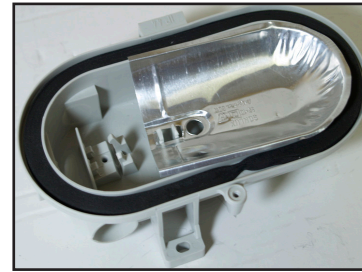
4 Once the desired number of wires are connected to the bulb receptacle, snap the wired receptacle into the fixture's base. Screw a properly sized bulb in the socket (see page 1 for details). Install lens and guard.



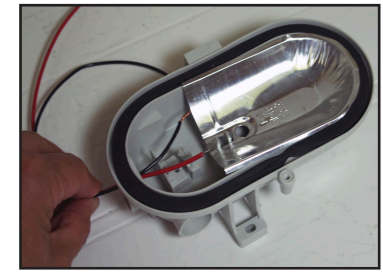
SUP-0216 | REVA

5 On Multi-Lite 458-S units, a rotating switch knob is included. To wire in the switch, insert the negative wire as shown in figure 3. Connect one of the switch wires to the positive wire with a wire nut or other appropriate connector and place the remaining switch wire in the opposing wire socket.

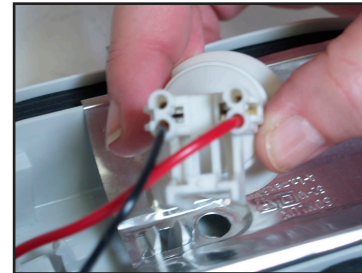
Multi-Lite® Wiring Instructions



1 Install fixture in desired location. Mounting tabs provide connection points for fasteners. Place the reflector in the base of the fixture.



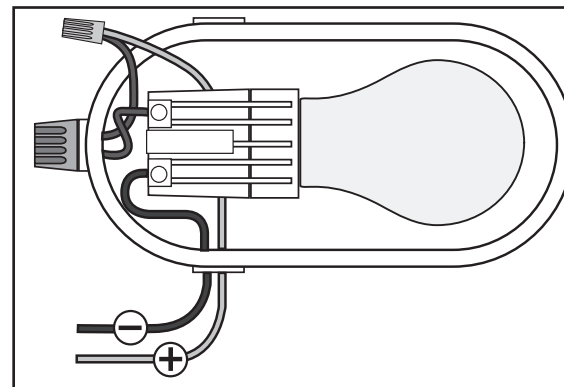
2 Punch out the required number of wire holes required for installation. Three holes are provided. Holes are scaled for 1/2" conduit. Insert positive and negative wires.



3 Strip approximately 3/8" of insulation off of wires and insert wire ends into the bulb receptacle. Wires will be locked in once completely engaged. Note that four wiring connectors are supplied on the bulb receptacle for multiple light circuits.



4 Once the desired number of wires are connected to the bulb receptacle, snap the wired receptacle into the fixture's base. Screw a properly sized bulb in the socket (see page 1 for details). Install lens and guard.



SUP-0216 | REVA

5 On Multi-Lite 458-S units, a rotating switch knob is included. To wire in the switch, insert the negative wire as shown in figure 3. Connect one of the switch wires to the positive wire with a wire nut or other appropriate connector and place the remaining switch wire in the opposing wire socket.